



---

ABB MEASUREMENT & ANALYTICS

# SwirlMaster

The new generation of  
swirl flowmeters



---

# SwirlMaster

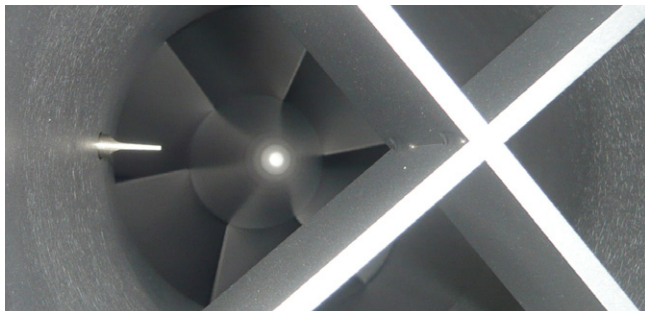
## FSS430/FSS450

### Reliable and versatile

Drift-free sensor for high long-term stability

The robust and versatile SwirlMaster enables the reliable measurement of liquids, gases and steam in units of volume, mass and energy.

- Digital signal processing for volume measurement and volume totalizing with analog and digital outputs
- Mass/energy flow or standard flow measurement without additional flow computer
- Plug-in display unit for simple parameterization
- Integrated 4 to 20 mA and/or HART input for external pressure, temperature, density or concentration input
- Global approvals for explosion protection
- Shortest up- and downstream sections for compact, space saving installation
- Significantly lower pressure loss than Vortex flowmeters with a reduced bore



# SwirlMaster FSS430/FSS450

## Measurement made easy

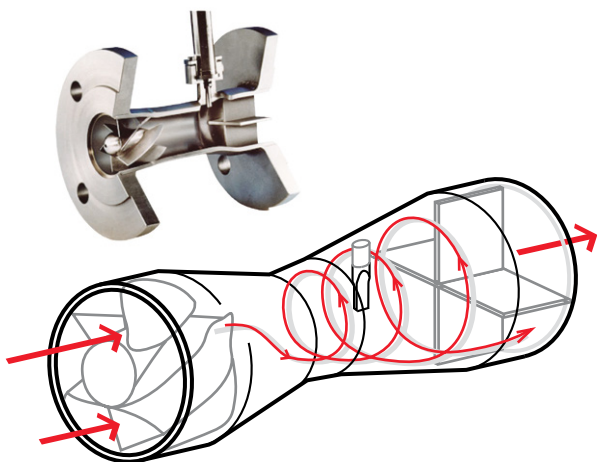
---

### The most important data at a glance

---

Accuracies for liquids	± 0.50 % of rate
Accuracies for gases and steam	± 0.50 % of rate
Process connection	Flange design
Meter sizes	DN 14 to DN 400 (1/2 in. to 16 in.)
Media temperature	-55 to 280 °C (-67 to 536 °F)
Media viscosity	max. 30 cP
Upstream and downstream pipe runs (typical value after narrowing)	
Upstream section	3 x DN
Downstream section	1 x DN
Ex approvals	IECEX, ATEX, NEPSI 0/1/2/ Zone 20/21/22 certificates cFMus Class 1 Div. 1, Zone 0/1
Communication	HART 7 or Modbus RTU-RS485 with 1200, 2400, 4800 or 9600 bps
Output	4 to 20 mA / HART or Modbus, binary output for pulses, frequency up to 10 kHz or contact output
Input signals from external sensors	Pressure, temperature, density, methane content

---



---

# SwirlMaster

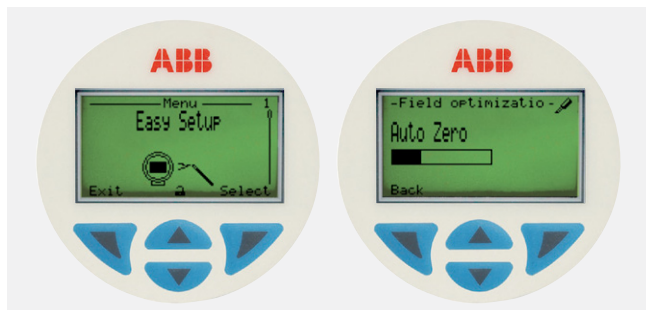
## FSS430/FSS450

Easy to operate

Fast and reliable commissioning

### Intuitive user interface

- Common operating concept across the measurement portfolio including Easy Set-up function for comfortable and easy configuration
- Intuitive operation through the glass via capacitive keys with plain-text operating menus
- Integrated online self-verification without process interruption or meter removal
- Status messages according to NAMUR NE107
- SensorMemory technology enabling plug and play electronics replacement for maximum data security
- Automated zero point adjustment for easy commissioning



---

# SwirlMaster FSS430/FSS450

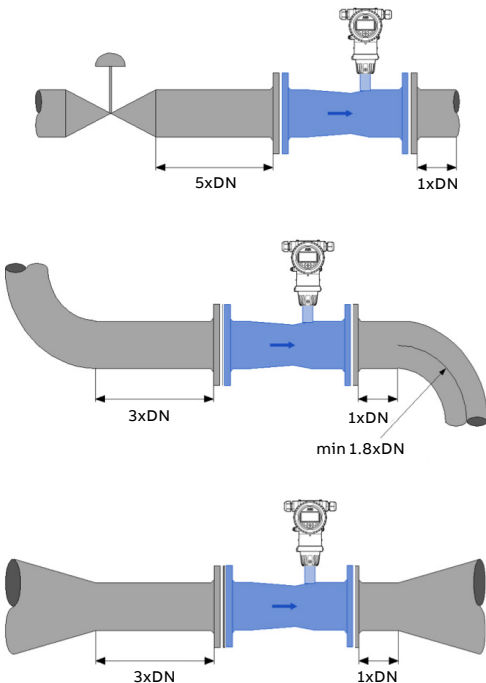
## Shortest inlet sections

Lowest inlet- and outlet section requirements enable many applications

### Immune to turbulence

Depending on the integration within the process:

- Pipeline reduction not necessary
- No additional flow straightener needed
- After elbow and/or reduction only 3 diameters inlet section and 1 diameter outlet section needed
- After control valve only 5 diameters inlet section needed



---

# SwirlMaster FSS430/FSS450

## Excellent performance

Broad range of applications due to the latest transmitter technology and a proven sensor

### Latest transmitter technology

- Wide flow range up to 50:1 flow turn down
- Highest accuracy in liquid, gas and steam measurement
- Shortest response time (200 ms)
- Special operation modes for hot water/condensate and steam gross or net energy flow in accordance with IAPWS-IF97
- Gas engine for natural gas measurement according to AGA/GERG standards
- Integrated vibration compensation
- SIL2-certified in accordance with IEC 61508



# SwirlMaster

## FSS430/FSS450

### Flow computer functions

Extensive flow calculations for standard volume, mass or energy units

#### With integrated flow computer

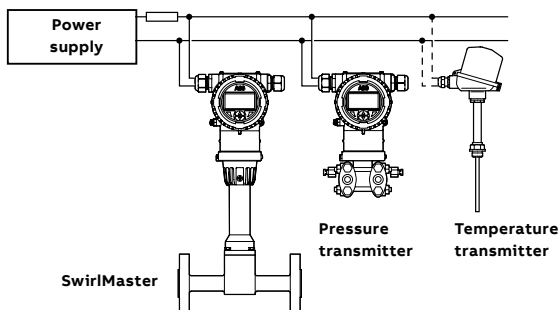
- Integrated interfaces, analog or HART, for the connection of external instruments such as: pressure, temperature, density or gas analysis
- Internal calculation and output of standard volume, mass or energy flows

#### SwirlMaster FSS430

The standard device with optional digital outputs and graphical display for your application. Available in an integral mount design or in a separate version with up to 30 m cable length. Optionally with an integrated temperature sensor.

#### SwirlMaster FSS450

The SwirlMaster transmitter with integrated temperature sensor additionally offers analog input for your mass or energy flow monitoring. The built-in calculation of mass and/or energy for steam and hot water in accordance with the IAPWS-IF97 standard replaces complex installations and separate flow computers in many applications.



---

# Contact

---

## **ABB Limited**

### **Measurement & Analytics**

Howard Road, St. Neots  
Cambridgeshire, PE19 8EU, UK  
Phone: +44 (0) 870 600 6122  
Fax: +44 (0)1480 213 339  
E-Mail: enquires.mp.uk@gb.abb.com

## **ABB Inc.**

### **Measurement & Analytics**

125 E. County Line Road  
Warminster, PA 18974, USA  
Phone: +1 215 674 6000  
Fax: +1 215 674 7183

## **ABB Engineering (Shanghai) Ltd.**

### **Measurement & Analytics**

No. 4528, Kangxin Highway, Pudong New District  
Shanghai, 201319, P.R. China  
Phone: +86(0) 21 61056666  
Fax: +86(0) 21 61056677  
E-Mail: china.instrumentation@cn.abb.com

## **ABB Automation Products GmbH**

### **Measurement & Analytics**

Dransfelder Str. 2  
37079 Göttingen, Germany  
Phone: +49 551 905 0  
Fax: +49 551 905 777  
E-Mail: vertrieb.messtechnik-produkte@de.abb.com

**[abb.com/measurement](http://abb.com/measurement)**